



GENERAL CHARACTERISTICS

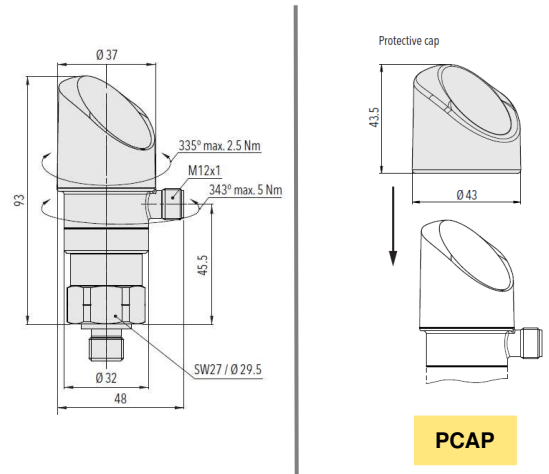
For applications where it is necessary to measure pressure, with local display, full adjustable via APP "MY VALCO" available on Android® app store.
The power supply to the sensors is between 15 and 30 Vdc, and the output signal is available with 4...20 mA, or 0...10V, or 0...5V or 1...6V, M12 electrical connection.
Data logger function included as standard.

- Sensing element ceramic
- Full control via APP "MY VALCO".
- 2 x PNP switching output
- Degree of protection IP67



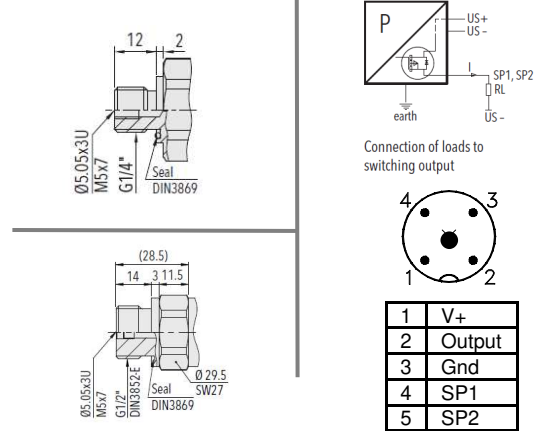
PRESSURE RANGES Tab.1

Measuring ranges Bar	Over pressure Bar	Burst pressure Bar	Code
0 - 0,2	1,2	2	00002
0 - 0,4	1,2	2	00004
0 - 0,6	1,2	2	00006
0 - 1	2	4,8	0001
0 - 1,6	3,2	4,8	00016
0 - 2,5	5	7,5	00025
0 - 4	8	12	00004
0 - 6	12	15	0006
0 - 10	20	25	0010
0 - 16	32	40	0016
0 - 25	50	75	0025
0 - 40	80	100	0040
0 - 60	120	180	0060
0 - 100	200	300	0100



TECHNICAL DATA Tab.2

Description		Code
Measuring element	Piezoresistive with ceramic support.	PC
Power supply	10 ÷ 35 Vdc	-
Output signal	4 - 20 mA	420
	0 - 10 V switchable	010
Current consumption	≤ 30mA	-
Housing alignment	Display 335° rotatable	-
Linearity ± 0,5 % FS	Accuracy ± 0,5 %	Temperature -25 ÷ 85 °C
Electrical connection		M12 x 1 - 4 poles plug
		Protection IP67
		Code S3

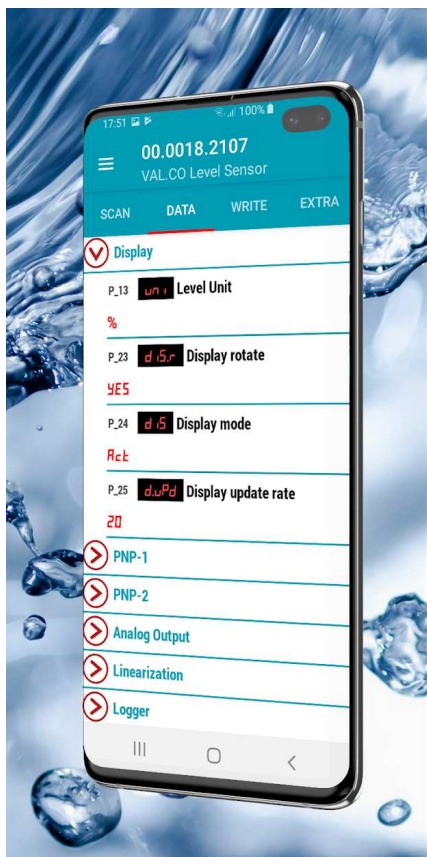
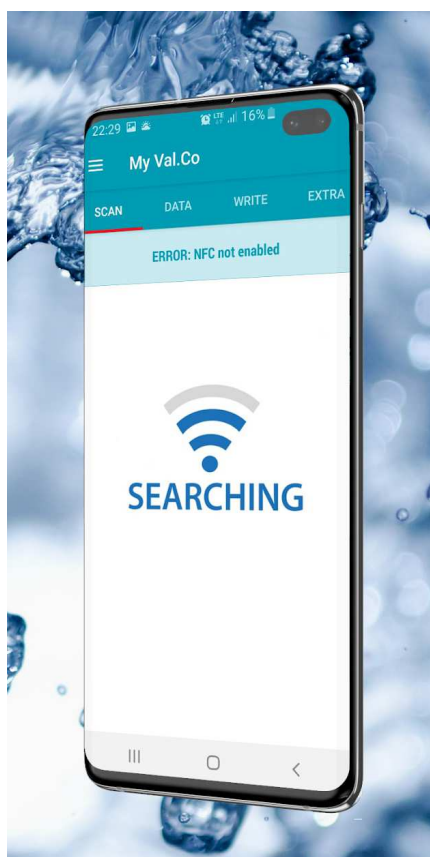


PROCESS CONNECTION Tab.3

Dimensions			Male thread			Materials
08	15	Other	G	C	N	S
1/4"	1/2"	(---)	UNI 228/1	UNI 7/1	NPT	S. S. AISI-316
Standard	On request		Standard	On request		

NOMENCLATURE

TPD	0040	PC	08GK	420/010	S3	PCAP	
•							Pressure transmitter
	•						Tab.1 Measuring range
		•					Tab.2 Measuring element
			•				Tab.3 Process connection dimension and material
				•			Tab.2 Output signal
					•		Tab.2 Electrical connection and output
						•	Tab.1 Protection cap silicone if required



..... don't forget to download MyValco App
the fastest way to setup your device

